

XND-6011F

2M Network Dome Camera

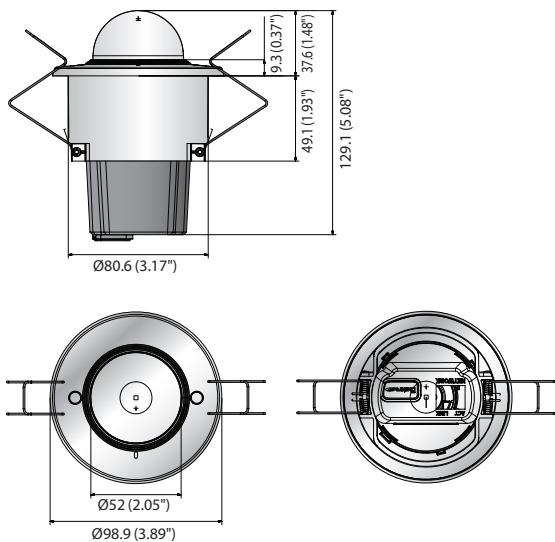


Key Features

- Built-in 2.8mm fixed lens
- Max. 60fps@all resolutions (H.265 / H.264)
- H.265, H.264, MJPEG Codec Supported, Multiple streaming
- WDR (150dB), Defog
- Loitering, Directional detection, Fog detection, Audio detection, Digital auto tracking, Sound classification, Heatmap, People counting, Queue management, Tampering
- Motion detection, Handover
- SD / SDHC / SDXC memory slot (Max. 256GB), PoE / 12V DC
- Hallway View, WiseStreamII Support
- LDC Support (Lens distortion correction)

Dimensions

Unit : mm (inch)



XND-6011F

VIDEO	
Imaging Device	1/2.8" 2M CMOS
Total Pixels	1,945(H) x 1,109(V) 2.16M
Effective Pixels	1,945(H) x 1,097(V) 2.13M
Scanning System	Progressive Scan
Min. Illumination	Color: 0.055 Lux (F2.0, 1/30sec), B/W: 0.055 Lux (F2.0, 1/30sec)
S / N Ratio	50dB
Video Out	USB: Micro USB Type B, 1280 x 720, for Installation
LENS	
Focal Length (Zoom Ratio)	2.8mm fixed
Max. Aperture Ratio	F2.0
Angular Field of View	H: 112° / V: 62° / D: 130°
Min. Object Distance	0.2m (0.66ft)
Focus Control	Manual
Lens / Mount Type	Fixed / Board-in Type
PAN / TILT / ROTATE	
Pan / Tilt / Rotate Range	0° ~ 355° / 0° ~ 47° / 0° ~ 353°
OPERATIONAL	
Camera Title	Off / On (Displayed up to 85 Characters) - W/W : English / Numeric / Special Characters - China : English / Numeric / Special / Chinese Characters - Common: Multi-line (Max 5), Color (Gray / Green / Red / Blue / Black / White), Transparency, Auto Scale by Resolution
Day & Night	Auto (Electrical) / Color / B/W / Schedule
Backlight Compensation	Off / BLC / HLC (Masking / Dimming) / WDR
Wide Dynamic Range	150dB
Contrast Enhancement	SSDR (Off / On)
Digital Noise Reduction	SSNRV (2D + 3D Noise filter) (Off / On)
Digital Image Stabilization	Off / On
Defog	Off / Auto (input from fog detection) / Manual
Motion Detection	Off / On (8ea, 8Point polygonal zones), Handover
Privacy Masking	Off / On (32ea, polygonal zones) - Color: Gray / Green / Red / Blue / Black / White - Mosaic
Gain Control	Off / Low / Middle / High
White Balance	ATW / AWC / Manual / Indoor / Outdoor (Included Mercury & Sodium)
Contrast	Level Adjustment
LDC (Lens Distortion Correction)	Off / On (5 levels with min / max)
Electronic Shutter Speed	Minimum / Maximum / Anti Flicker (2 ~ 1/12,000sec)
Digital PTZ	24X, Digital PTZ (Preset, Group)
Flip / Mirror	Off / On, Hallway: 90° / 270°
Video & Audio Analytics	Tampering, Loitering, Directional detection, Defocus detection, Fog detection, Virtual line, Enter / Exit, (Dis) Appear, Audio detection, Face detection, Motion detection, Digital auto tracking, Sound classification, People counting, Heatmap, Queue management
Alarm Triggers	Motion detection, Video & Audio Analytics, Network disconnect
Alarm Events	File Upload Via FTP, E-mail, Notification via e-mail, Local Storage (SD / SDHC / SDXC) or NAS recording at event triggers, External output, DPTZ preset
Pixel Counter	Support
NETWORK	
Ethernet	RJ-45 (10/100 BASE-T)
Video Compression Format	H.265 / H.264 (MPEG-4 Part 10 / AVC) : Main / Baseline / High, MJPEG
Resolution	1920 x 1080, 1280 x 1024, 1280 x 960, 1280 x 720, 1024 x 768, 800 x 600, 800 x 448, 720 x 576, 720 x 480, 640 x 480, 640 x 360, 320 x 240
Max. Framerate	H.265 / H.264: Max. 60fps at all resolutions, MJPEG : Max. 30fps
Smart Codec	Manual Mode (Area-based : 5ea)
WiseStreamII	Support
Video Quality Adjustment	H.265 / H.264 / MJPEG : Target bitrate level control
Bitrate Control Method	H.265 / H.264 : CBR or VBR, MJPEG : VBR
Streaming Capability	Multiple streaming (Up to 10 Profiles)
Audio In	Built-in MIC
Audio Compression Format	G.711 u-law / G.726 Selectable G.726 (ADPCM) 8KHz, G.711 8KHz G.726 : 16Kbps, 24Kbps, 32Kbps, 40Kbps, AAC-LC : 48Kbps at 8 / 16 / 32 / 48KHz
Audio Communication	Uni-directional
IP	IPv4, IPv6
Protocol	TCP/IP, UDP/IP, RTP (UDP), RTP (TCP), RTCP, RTSP, NTP, HTTP, HTTPS, SSL/TLS, DHCP, PPPoE, FTP, SMTP, ICMP, IGMP, SNMPv1/v2c/v3 (MIB-2), ARP, DNS, DDNS, QoS, PIM-SM, UPnP, Bonjour
Security	HTTPS (SSL) Login Authentication, Digest Login Authentication, IP address filtering, User access Log, 802.1X Authentication (EAP-TLS, EAP-LEAP)
Streaming Method	Unicast / Multicast
Max. User Access	20 Users at Unicast Mode
Edge Storage	SD/SDHC/SDXC 1slot (up to 256GB) - Motion Images recorded in the SD/SDHC/SDXC memory card can be downloaded. NAS(Network Attached Storage), Local PC for Instant Recording
Application Programming Interface	ONVIF Profile S/G, SUNAPI (HTTP API), Open Platform
Webpage Language	English, Korean, Chinese, French, Italian, Spanish, German, Japanese, Russian, Swedish, Portuguese, Czech, Polish, Turkish, Dutch, Hungarian, Greek
Supported OS	Windows 7, 8, 10, Mac OS X 10.10, 10.11, 10.12
Non-plugin Webviewer	Supported
Web Viewer	- Supported Browser: Google Chrome, MS Edge, Mozilla Firefox (Window 64bit only), Apple Safari 10 (Mac OS X only) Plug-in Webviewer - Supported Browser: MS Explore 11, Apple Safari (Mac OS X only)
Central Management Software	SmartViewer, SSM
ENVIRONMENTAL	
Operating Temperature / Humidity	-10°C ~ +55°C (-14°F ~ +131°F) / Less than 90% RH
Storage Temperature / Humidity	-30°C ~ +60°C (-22°F ~ +140°F) / Less than 90% RH
ELECTRICAL	
Input Voltage / Current	PoE (IEEE802.3af, Class3)
Power Consumption	Max. 4.7W
MECHANICAL	
Color / Material	Module : Black / Metal, Housing : Black / Plastic, Cover : Ivory / Plastic
Dimensions (WxH)	Ø98.9 x 129.1mm (Ø3.89" x 5.08") ※ Use a 83 ~ 86mm (3.25" ~ 3.4") diameter hole saw
Weight	275g (0.61 lb)

* The latest product information / specification can be found at hanwha-security.com
* Design and specifications are subject to change without notice.